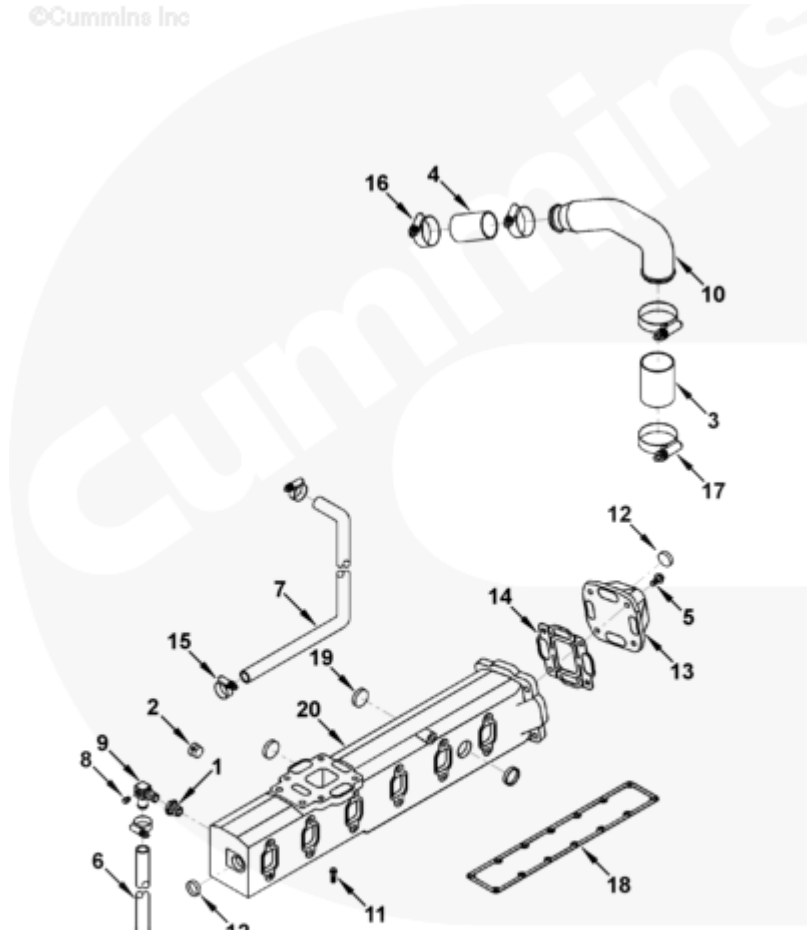




Parts Catalog - Option Detail

Electronic Parts Catalog - Option Detail				
Option	Group	Graphic	Film Card	Date
TB90035-03	10.06.1	tb966gg	T	05-SEP-01
Engines	4B3.9, 6A3.4, 6B5.9, B GAS INTERNATIONAL CM556, B4.5, B4.5 CM2350 B129B, B4.5 CM2350 B146C, B4.5 CM2350 B147B, B4.5 RGT, B4.5S, B5.9 G, B5.9 GAS PLUS CM556, B5.9 LPG, B5.9 LPG PLUS CM556, B6.7 CM2350 B121B, B6.7 CM2350 B135B, B6.7 CM2350 B136C, B6.7 CM2350 B148B, B6.7 G CMOH6.0 B125, B6.7N CM2380 B150B, B6.7S, F3.8 CM2350 F120B, F3.8 CM2350 F128C, F3.8 CM2350 F132B, F3.8 F102, G3.9, G5.9, G5.9 CM558, ISB (CHRYSLER), ISB CM2150, ISB CM2150 E, ISB CM550, ISB CM850, ISB/ISD4.5 CM2150 B119, ISB/ISD4.5 CM2150 SN, ISB/ISD6.7 CM2150 B120, ISB/ISD6.7 CM2150 SN, ISB/ISD6.7 CM2880 B126, ISB3.9 CM2220 B107, ISB4.5 CM2150, ISB5.9G CM2180, ISB6.7 2010 DCX PICKUP, ISB6.7 2013 DCX CHASSIS CAB, ISB6.7 CM2150 SQ, ISB6.7 CM2250, ISB6.7 CM2350 B101, ISB6.7 CM2350 B103, ISB6.7 CM2350 B142, ISB6.7 CM2670 B153B, ISB6.7 G CM2180 B118, ISBE CM2150, ISBE CM800, ISBE2/ISBE3 CM850, ISBE4 CM850, ISD4.5 CM2150, ISD6.7 CM2880 D101, ISF2.8 CM2220, ISF2.8 CM2220 AN, ISF2.8 CM2220 EC, ISF2.8 CM2220 ECF2, ISF2.8 CM2220 F101, ISF2.8 CM2220 F117, ISF2.8 CM2220 F122, ISF2.8 CM2220 F126, ISF2.8 CM2220 F129, ISF2.8 CM2220 IAN, ISF3.8 CM2220, ISF3.8 CM2220 AN, ISF3.8 CM2220 F103, ISF3.8 CM2220 F110, ISF3.8 CM2220 F116, ISF3.8 CM2220 F134B, ISF3.8 CM2220 IAN, ISF3.8 CM2350 F109, ISF4.5 CM2220 F123, ISG11 CM2880 G106, ISG11 CM2880 G108, ISG12 CM2880 G107, ISG12 CM2880 G109, ISG12 G CMOH6.0 G111, QSB3.9 30 CM550, QSB3.9 CM2880 B138, QSB4.5 30 CM550, QSB4.5 CM2150 B108, QSB4.5 CM2250 B131, QSB4.5 CM2250 EC, QSB4.5 CM2350 B106, QSB4.5 CM2350 B122			



tb966gg

SMALL | MEDIUM | LARGE

Cart	Ref No	Part Number	Part Description	Required	Remarks
<div style="border: 1px solid black; padding: 2px; display: inline-block;">View My Cart</div>					
		TB90035-03	Exhaust Manifold		Turbocharger Location...(More)
					Engine Family: "B" Series
					Cylinders: 6
					Exhaust Outlet Location:
					HMFO
					Turbocharger Exhaust Loc From
					Front Face Of Block (mm):
					482
					Exhaust Vert From Crank

				Centerline (mm): 572
				Exhaust Horizontal Crank
				Centerline (mm): 168
				Aspiration: Turbocharged
				Crossover Routing: Low Rear
				Oil Supply Routing: Outboard
				Exhaust Manifold Type: Wet
				Intake Cover Provided: Yes
				Unique Characteristics: 5/8
				Inch
				Water Supply Turbine
				Outlet Flange Type: Half
				Marmon
				Turbocharger Type: Non-
				Wastegate
				Structure Code: 02 EBM
				Cylinder Head Type: Standard
				Base Turbocharger ID17
				Number:
				3528745
				3528761
				3528769
				The 3279246 and 3279245 hoses
				may be used to replace the
				3916438 and 3916437 hoses.
				5/8 inch water supply.
				**This Option is for marine
				engines only as it contains
				the exhaust manifold in the

					option structure.**.
<input type="checkbox"/>	1	S 982	Reducing Pipe Bushing	1	
<input type="checkbox"/>	2	3008469	Pipe Plug	1	3/4 NPT
<input type="checkbox"/>	3	3897502	Plain Hose	1	
<input type="checkbox"/>	4	3897503	Plain Hose	1	
<input type="checkbox"/>	5	3902460	Hexagon Flange Head Cap Screw	4	M10 X 1.50 X 25.
<input type="checkbox"/>	6	3905034	Plain Hose	1	
<input type="checkbox"/>	7	3905082	Plain Hose	1	
		3908225	Hose Coupling	1	
<input type="checkbox"/>	8	3906619	Pipe Plug	1	1/8 NPT.
<input type="checkbox"/>	9	3908221	Elbow Hose Coupling	1	
<input type="checkbox"/>	10	3912023	Air Tube	1	
<input type="checkbox"/>	11	3918109	Hexagon Flange Head Cap Screw	12	M8 x 1.25 x 25
<input type="checkbox"/>		3920946	Water Transfer Connection	1	
<input type="checkbox"/>	12	3007636	Expansion Plug	1	
	13	3920945	Water Transfer Connection	1	
<input type="checkbox"/>	14	3921926	Turbocharger Gasket	1	
<input type="checkbox"/>	15	3922842	Hose Clamp	4	
<input type="checkbox"/>	16	3922848	Hose Clamp	2	
<input type="checkbox"/>	17	3922849	Hose Clamp	2	
<input type="checkbox"/>	18	3938152	Intake Manifold Cover Gasket	1	
<input type="checkbox"/>		4019951	Exhaust Manifold	1	
<input type="checkbox"/>	12	3007636	Expansion Plug	1	
<input type="checkbox"/>	19	3908092	Expansion Plug	3	
	20	4019950	Exhaust Manifold	1	